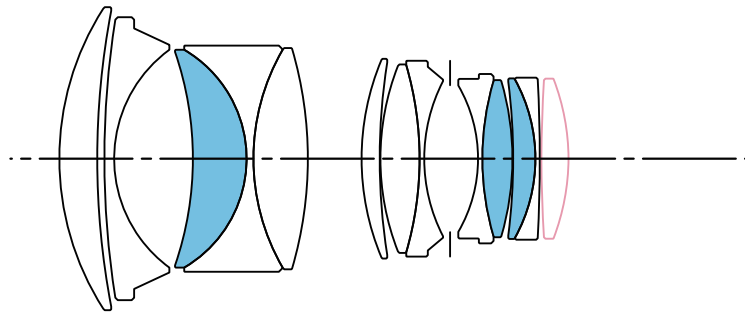


SIGMA

SIGMA 50mm T1.5 FF Technical Specifications

Lens construction



13 Elements in 8 Groups

■:SLD (Special Low Dispersion) Glass ■:Aspherical Lens

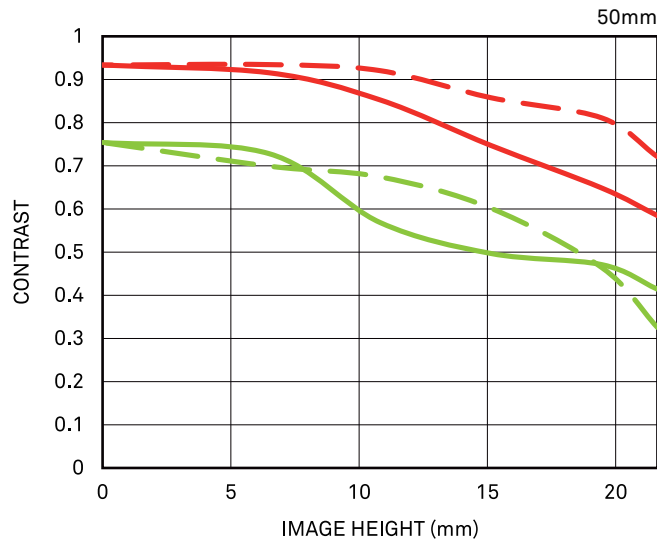
Specifications

FF High Speed Prime Line		50mm T1.5 FF
Focal Length		50mm
Aperture(T)		T1.5 to T16
Number of Diaphragm Blades		9 (Rounded diaphragm)
Close Focus ¹		0.40m / 1'4"
Image Coverage		FF Φ43.3mm
Front diameter		95mm
Filter Size		82mm
EF mount ²		102mm
Length	E-mount ³	128mm
	PL mount ⁴	94mm
EF mount		1290g
Weight ⁵	E-mount	1350g
	PL mount	1210g
FF ⁶		39.6°
S35 ⁷		27.6°
APS-C ⁸		26.7°

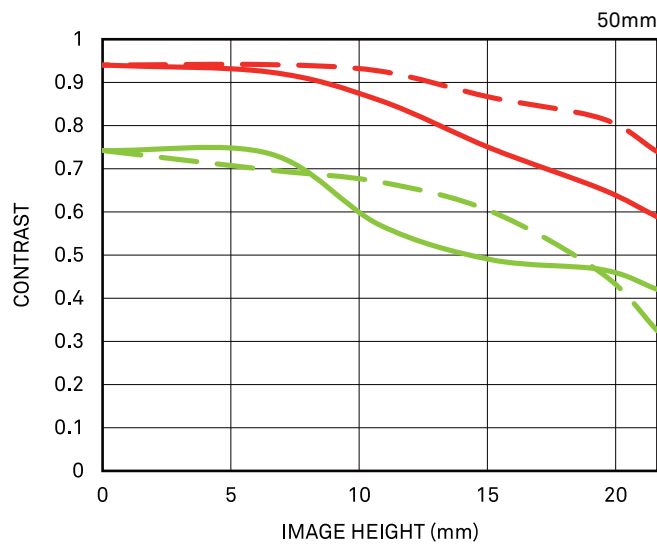
¹ Close focus distance is measured from the image plane ² Front to EF mount flange ³ Front to E-mount flange ⁴ Front to PL mount flange ⁵ Without lens support foot ⁶ Horizontal angle of view for a full-frame camera aperture (aspect ratio 1:1.5, dimensions 36mm×24mm / 1.42"×0.94") ⁷ Horizontal angle of view for a super 35 digital cinema camera aperture (aspect ratio 1:1.8, dimensions 24.6mm×13.8mm / 0.97"×0.54") ⁸ Horizontal angle of view for an APS-C camera aperture (aspect ratio 1:1.5, dimensions 23.7mm×15.7mm / 0.93"×0.62") The specifications are subject to change without a notice.

MTF chart

Diffraction MTF



Geometrical MTF



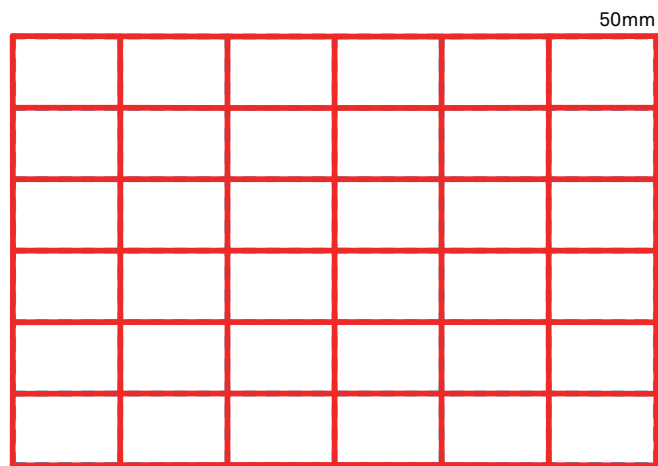
Spatial frequency	S	M
10 lp / mm		
30 lp / mm		

S : Sagittal Line
M : Meridional Line

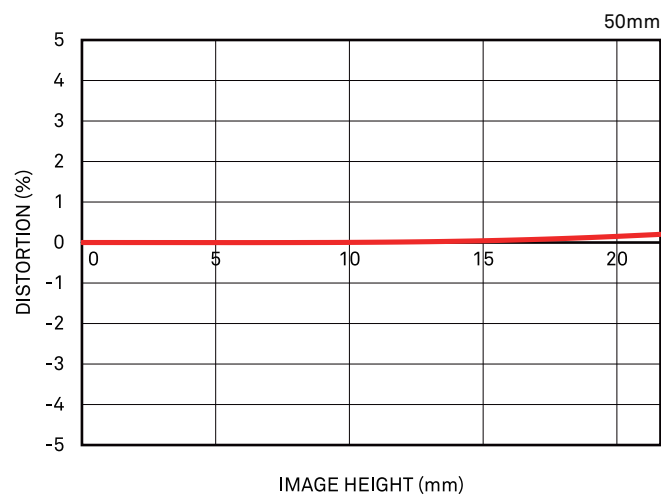
The MTF chart gives the result at the wide-open aperture.

Distortion

Effective distortion



Relative distortion



Vignetting

